


# V-Cove II Luminous

(available for only P46 9W/m type)

Sleek and slender. At just 9mm height and 15.6mm width, V-Cove II versatile slim linear fixture enables installation in narrow spaces. Fixture length of this series is also customizable, perfect for vanity mirror and other indirect lighting.

V-Cove II comes in P23 (pitch = 23mm) and P46 (pitch = 46mm) allowing the ideal illumination for various application.



P23 = LED Pitch 23mm (semi-custom spec)

*V-Cove II P23*



P46 = LED Pitch 46mm

**V-Cove II P46**  
Luminous

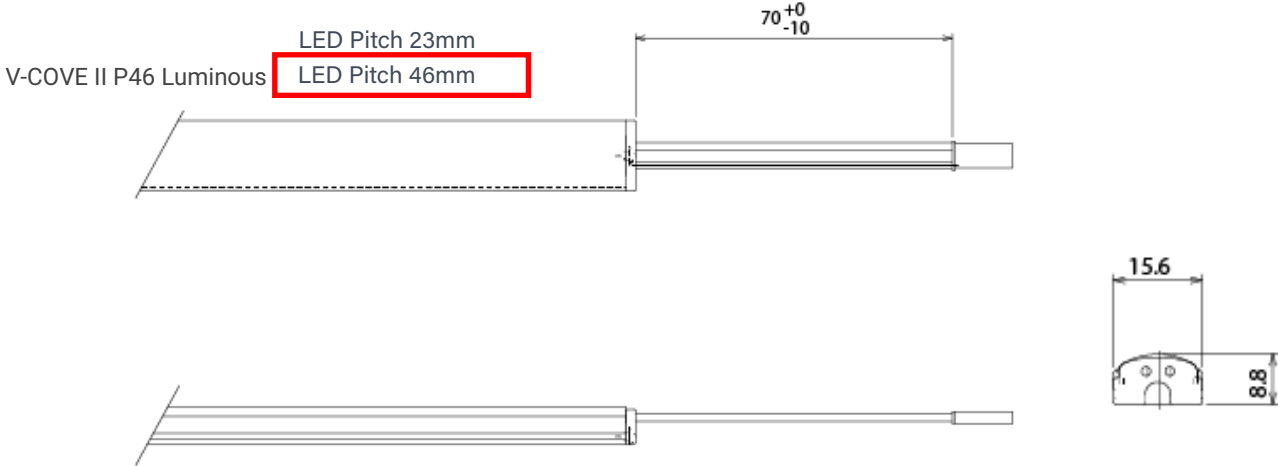
## FEATURES

- For general cove lighting and niche indirect lighting,
- Available in CCT 2000K, 2200K, 2500K, 2700K, 3000K, 3500K, 4000K, 5000K, 7800K(Clear White), and RGBW, Tunable White.
- Excellent efficiency using NICHIA Japan LED with optimized circuit design and tight-controlled chip's Vf properties.
- Centre colour binning that falls on top of black body radiation line within the range of MacAdam ellipse step3.

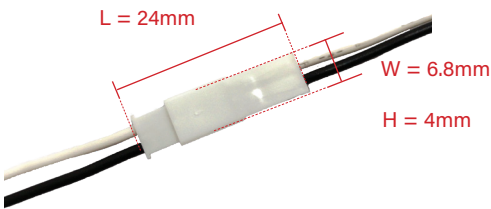
## BASIC SPECIFICATION



## MECHANICAL DRAWING



**Male-Female Connector**  
(Standard Spec comes with this connector)



Red/ or White Cable = 24 Vdc Positive (+)  
Black Cable = Negative (-) GND



Connectors can be concealed (based on 30° metal clip)

## MODEL NO

Model No

# VCII XXXX – XXX B – PXX - XX

Fixture Type

Fixture Length

Color Temperature

Type of LED used

LED Pitch

### Fixture Type

**VCII** → V-Cove II

### Fixture Length

**0974** → L974mm, **Standard**

**0813** → L813mm, **Standard** (only for P23 = LED Pitch 23mm)

**0652** → L652mm, **Standard** (only for P46 = LED Pitch 46mm)

**0330** → L330mm, **Standard**

**1296** → L1296mm (for P46 LED pitch 46mm) Build-to-order

**0491** → L491mm (only for P23 = LED Pitch 23mm), Build-to-order

**0168** → L168mm (only for P23 = LED Pitch 23mm), Build-to-order

### Color Temperature

**78xxx** → Clear White (high CRI, for senior citizen / hospital lightings) 7800K

**403** → Cool White 4000K

**353** → 3500K

**303** → Light Warm White 3000K

**273** → Standard Warm White 2700K

**253** → Dark Warm White 2500K

**203** → Amber-Like Warm White 2000K

Other CCT available: 1800K, 2200K, 4500K, 5000K (Build-to-order basis)

### Type of LED used

**B** → Type B, manufactured by NICHIA Japan (Ra93 typ. including all CCT including 1800K 2000K 2200K 2500K)

### LED Pitch

**23** → LED Pitch 23mm, Semi-custom spec, 13.7W/m

**46** → LED Pitch 46mm 9W/m

LS: Luminous Series (for P46)  
OS: CRI Ra98, R9 90(typical)  
(as semi-custom spec)

### Example

## VCII

## 0974 – 303

## B – P46 - LS

Fixture Type

V-Cove II

Fixture Length

L974mm, Standard

Color Temperature

Light Warm White 3000K

Type of LED used

Type B, manufactured by NICHIA Japan (Ra93 typ.)

LED Pitch

LED Pitch 46mm

LS : Luminous Series

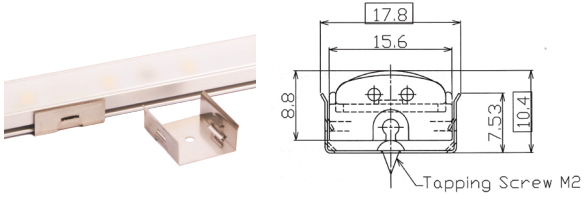
PRODUCT SPECIFICATIONS						
Product Name	V-Cove II P23 13.7W/m (LED 23mm Pitch / semi-custom)			V-Cove II P46 Luminous 9.0W/m (LED 46mm Pitch)		
Model No.	VCII0330-xxxB-P23 (L330mm)	VCII0813-xxxB-P23 (L813mm)	VCII0974-xxxB-P23 (L974mm)	VCII0330-xxxB-P46-LS (L330mm)	VCII0652-xxxB-P46-LS (L652mm)	VCII0974-xxxB-P46-LS (L974mm)
Input Voltage	24Vdc	24Vdc	24Vdc	24Vdc	24Vdc	24Vdc
Power Consumption	4.6 W	11.4 W	13.7 W	3.0 W	6.0 W	9.0 W
Dimension (mm)	330*15.6*8.8(H)	813*15.6*8.8(H)	974*15.6*8.8(H)	330*15.6*8.8(H)	652*15.6*8.8(H)	974*15.6*8.8(H)
Weight	65 grams	156 grams	186 grams	65 grams	129 grams	186 grams
Casing Body	Aluminium Heatsink with UV-resistant Polycarbonate Semi-Frosted Diffuser					
LED Beam Angle	105°	105°	105°	105°	105°	105°
Operating Temperature	-10°C~45°C	-10°C~45°C	-10°C~45°C	-10°C~45°C	-10°C~45°C	-10°C~45°C
Max. Length of Series Connection	5 meter	5 meter	5 meter	6 meter	6 meter	6 meter
Option Parts	Mounting clip bracket 0° (flat) type / 30° fixed angle type					
No of LEDs	14	35	42	7	14	21
Power Supply Unit (Gear-Driver)	24Vdc Constant-Voltage Switching Power Supply (*TDK Lambda brand)					
Dimming Control	*With recommended 0-10V/DMX compatible dimming driver unit					
Lumens (typical @3000K)	430	1060	1310	320	640	1116
Available LED Color						
Clear White 7800K *Build-to-order	●	●	●	●	●	●
Cool White 4000K	●	●	●	●	●	●
3500K *Build-to-order	●	●	●	●	●	●
Light Warm 3000K	●	●	●	●	●	●
Standard Warm 2700K	●	●	●	●	●	●
Dark Warm 2500K	●	●	●	●	●	●
Amber-Like Warm 2000K	●	●	●	●	●	●
RGB(W) Full Color *Build-to-order	NA	NA	NA	NA	NA	NA

\* For installation/wiring, refer to page 41.

## OPTIONAL ACCESSORIES

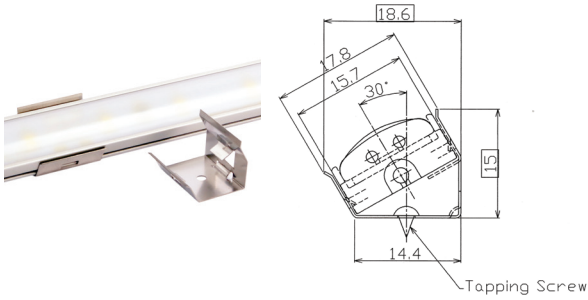
### 1 Metal Mounting Clip Bracket 0° Flat Type

Model: MMC-0DEG

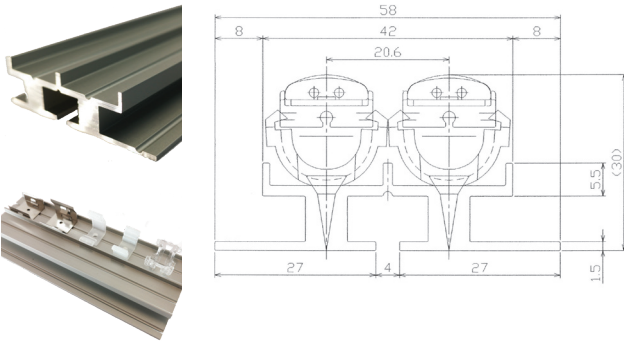


### 2 Metal Mounting Clip Bracket 30° Type

Model: MMC-30DEG



### 3 Aluminum Guide Rail



## PHOTOMETRICS

**Brownie Ecotronics:**

**V-Cove II P23, 3000K, L974mm, 13.7W**

Product Code: VCII0974-303B-P23

Luminous Flux (luminaire): 1367 lm

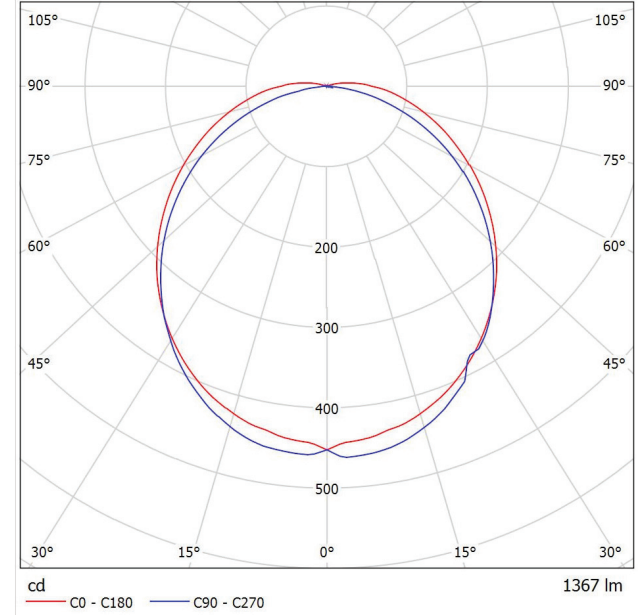
Luminous Flux (lamp): 1367 lm

Luminaire Wattage: 13.7W

Luminaire Classification according to CIE: 98

CIE Flux Code: 45 75 93 98 100

(Fitting: 1 x User defined (Correction Factor 1.000)).



**Brownie Ecotronics:**

**V-Cove II P46 Luminous, 3000K, L974mm, 9W/meter**

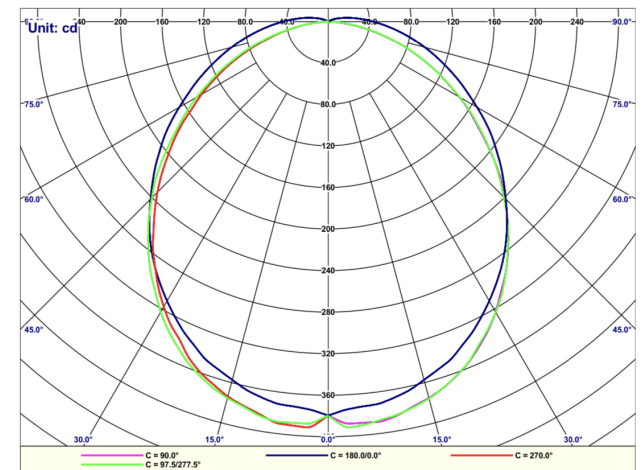
Product Code: VCII0974-303B-P46-LS

Luminous flux (Luminaire): 1116 lm

Luminous flux (Lamps): 1116 lm

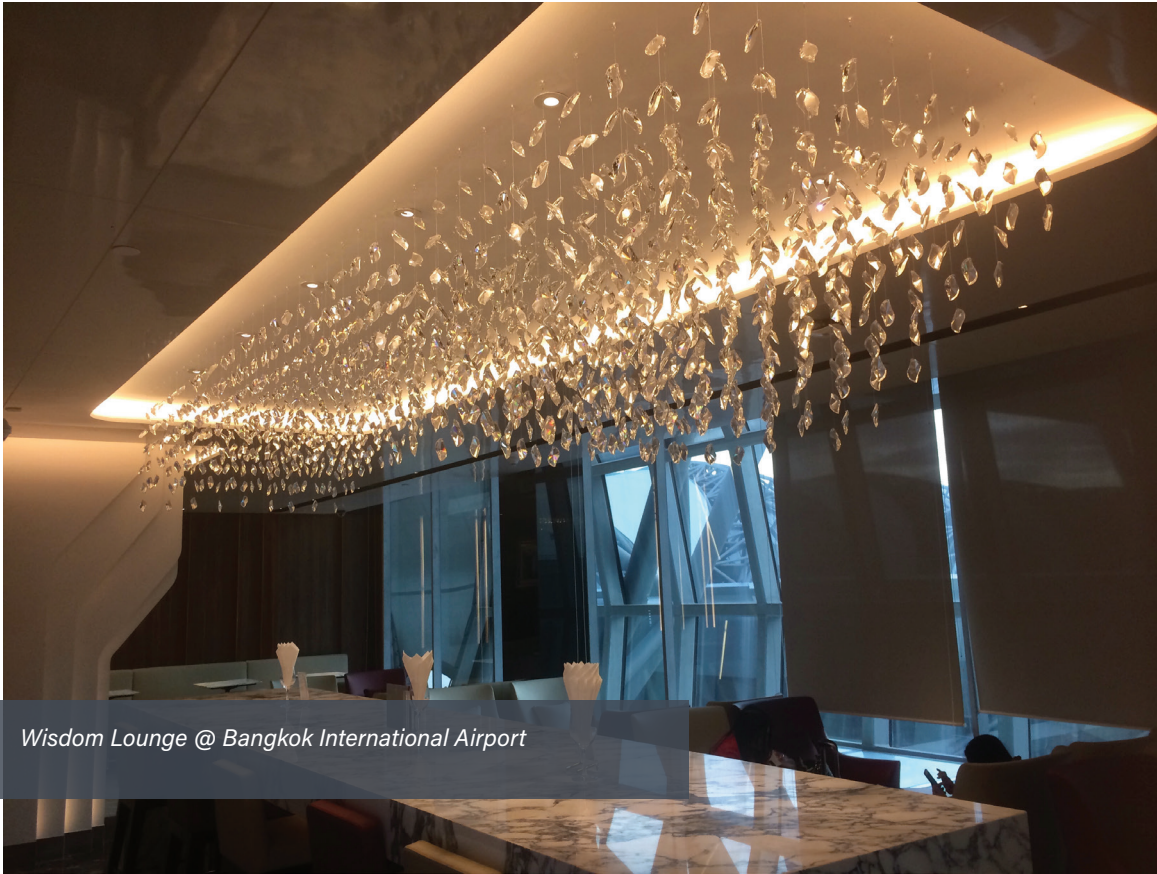
Luminaire Wattage: 9.1W

Luminaire classification according to CIE: 98

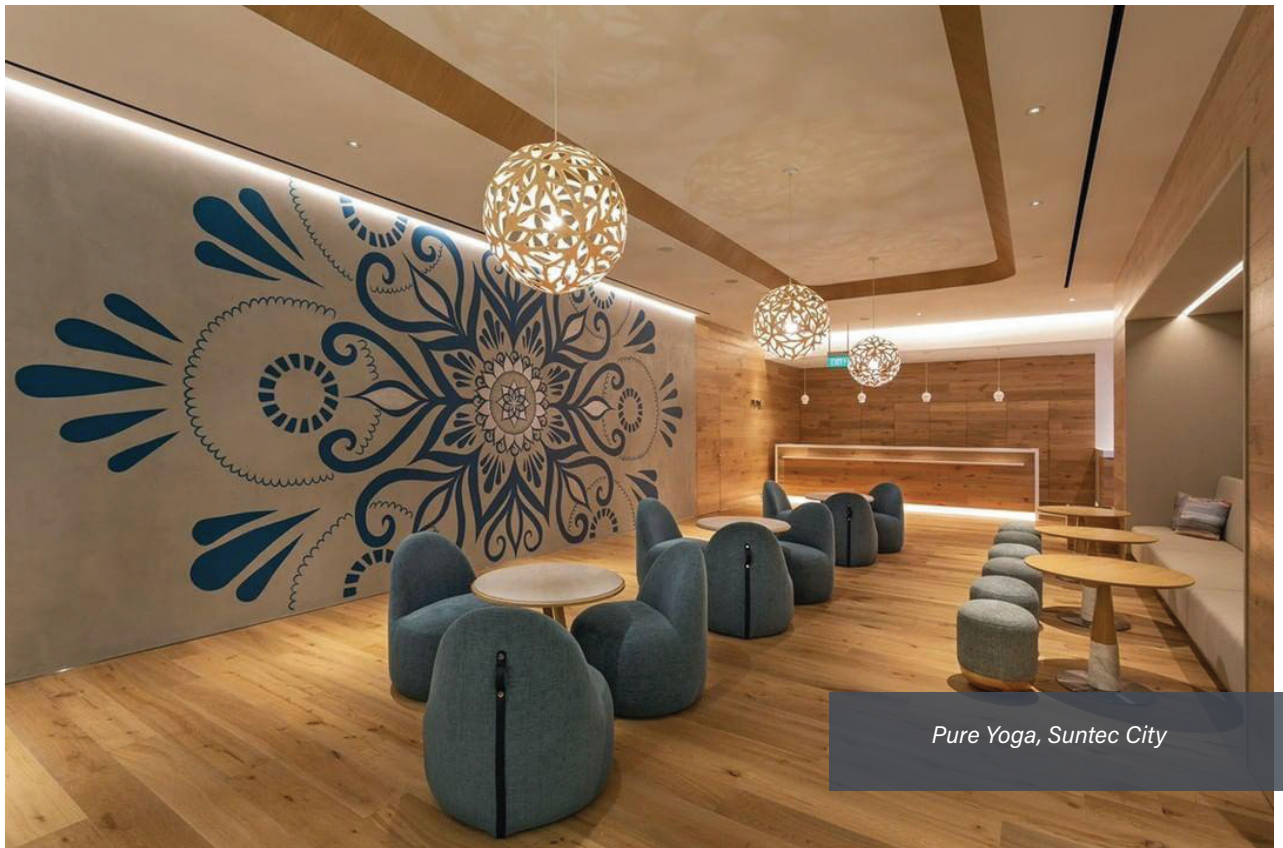


※For IES data, please contact our sales staff or distributor

PROJECT REFERENCE



Wisdom Lounge @ Bangkok International Airport



Pure Yoga, Suntec City